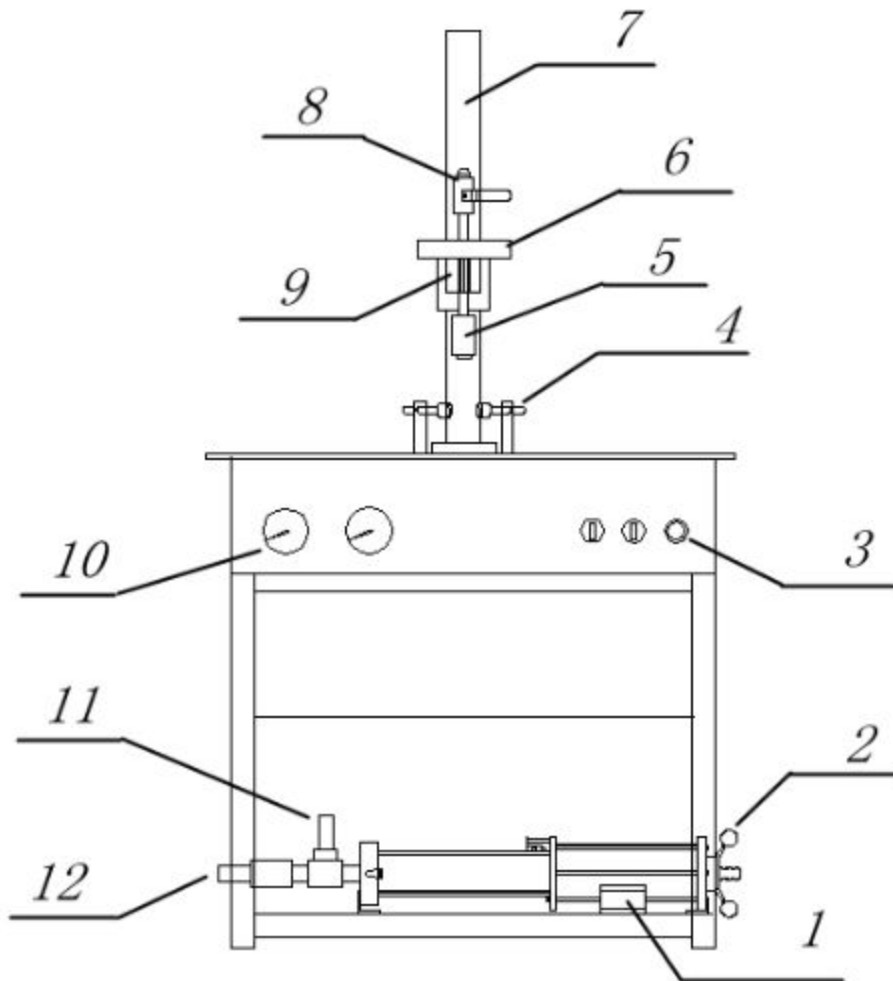


# HDC Aerosol Filling Machine

website: [www.aerosolfill.com/](http://www.aerosolfill.com/)

---



1.Footvalve;  
2.Meteringadjuster;  
3.Resetswitch;  
4.Filling locating screw;  
5. Filling end;  
6. Bed-plate;

7.Column;  
8.Ballvalve;  
9. Micro cylinder of filling end;  
10. Pressure gage;  
11.Outlet of metering cylinder;  
12. Inlet of metering cylinder