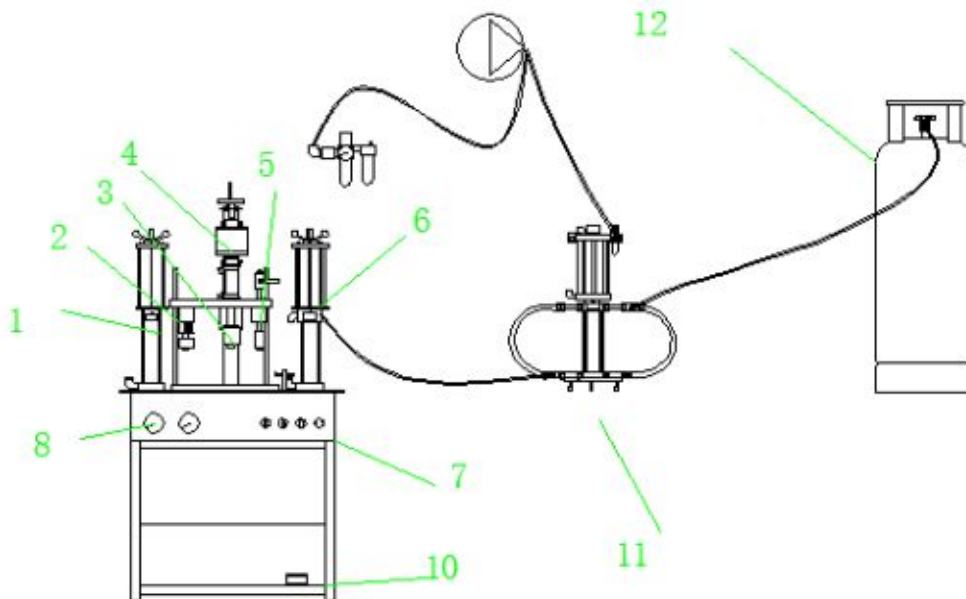


1.sealing cylinder 2.lift cylinder 3.sealing head 4.reset signal valve triggering block 5.reset signal valve 6.sealing signal valve



1.liquid cylinder meter 2.liquid head 3.sealing head 4.sealing cylinder 5.gas filling head 6.gas filling cylinder meter 7.operation switch 8.switch control area 10.foot switch 11.air pressure cylinder 12.gas container